

# 974 ACCESSORIES FOR ENTRANCE PANELS

---

## ALOI FLUSH-MOUNTED BOX 10 STOREY

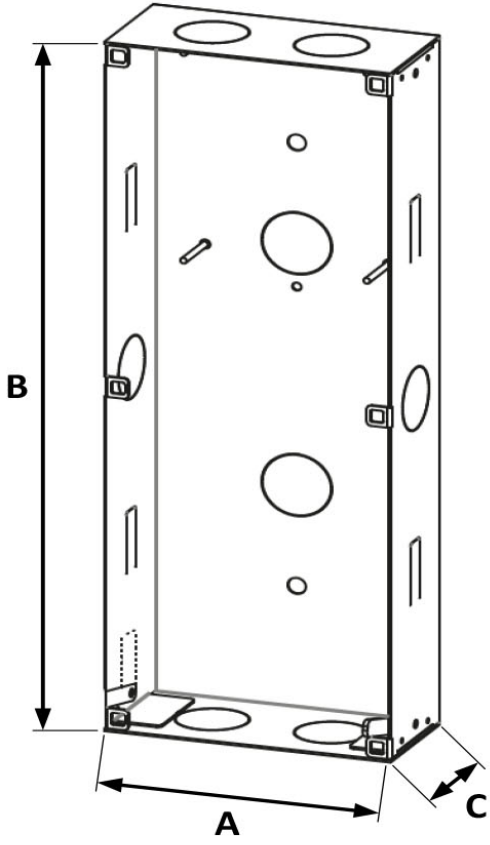


Code : **9740248**

Model : **CMO-610**

### Description

Flush-mounted box for entrance panel fixing. This box is made of metal. For ALOI series entrance panels. It has supports to hold and fold the entrance panel during installation, thus facilitating the work of connection and commissioning of the elements of the panel.

<b>Code</b>		<b>9740248</b>
<b>Model</b>		<b>CMO-610</b>
<b>Dimensions</b>	mm	A:125 B:387 C:50
		 <p>Illustration for reference only. It may not correspond to the product in every detail.</p>
<b>Packing weight</b>	Kg	0,94
<b>Packing dimensions</b>	mm	390 x 140 x 51