

974 ACCESSORIES FOR ENTRANCE PANELS

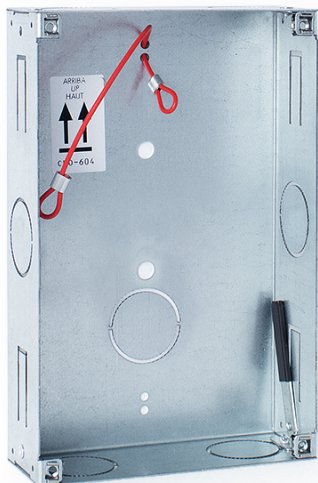
ALOI FLUSH-MOUNTED BOX 2 STOREY

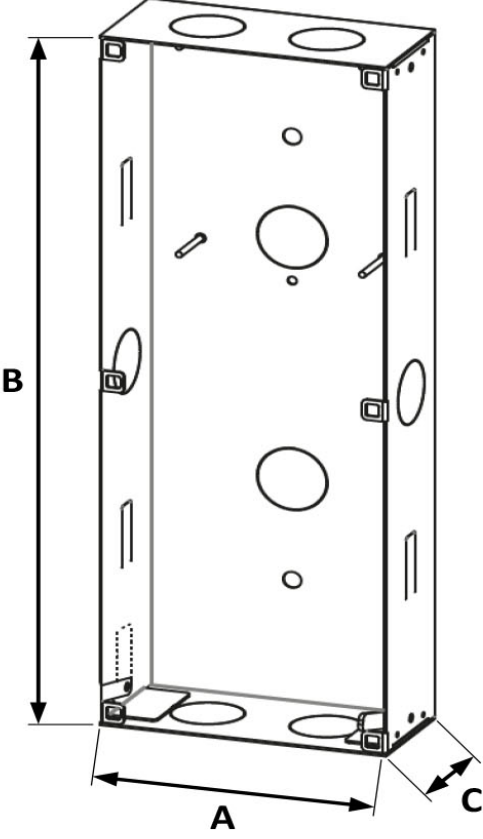
Code : **9740244**

Model : **CMO-602**

Description

Flush-mounted box for entrance panel fixing. This box is made of metal. For ALOI series entrance panels. It has supports to hold and fold the entrance panel during installation, thus facilitating the work of connection and commissioning of the elements of the panel.



Code		9740244
Model		CMO-602
Dimensions	mm	<p>A:125 B:195 C:50</p>  <p>Illustration for reference only. It may not correspond to the product in every detail.</p>
Packing weight	Kg	0,59
Packing dimensions	mm	198 x 140 x 51