

MULTIMEDIA

IPTV

ALCAD



Catalogue

2019



Index

1. Get to know it throughly	4-7
2. Basic / Premium	8-9
3. Products	10-11
5. Code Summary	12
6. Terms of Sale for the Spanish Market	13



The most profitable IPTV solution, 100% Made-in-ALCAD

ALCAD's IPTV solution is already present in over 15,000 residences, having enriched the experiences of hundred of thousands of guests from all over the world. Considering that estimate, we have focused our strengths on going beyond the experience of those users and bringing it closer to their expectations, and even exceeding them. This commitment will lead each establishment to excellence, with the user remembering each stay as an experience he or she will happily repeat. For this reason, we have developed new versions of ALCAD's IPTV Healthcare, IPTV Hospitality and Digital Signage which will exceed the expectations of even the most demanding hotels, hospitals, residences and health centres, as well as buildings of all types.

**IPTV
Hospitality**
Basic | Premium

For hotels

**IPTV
Healthcare**
Basic | Premium

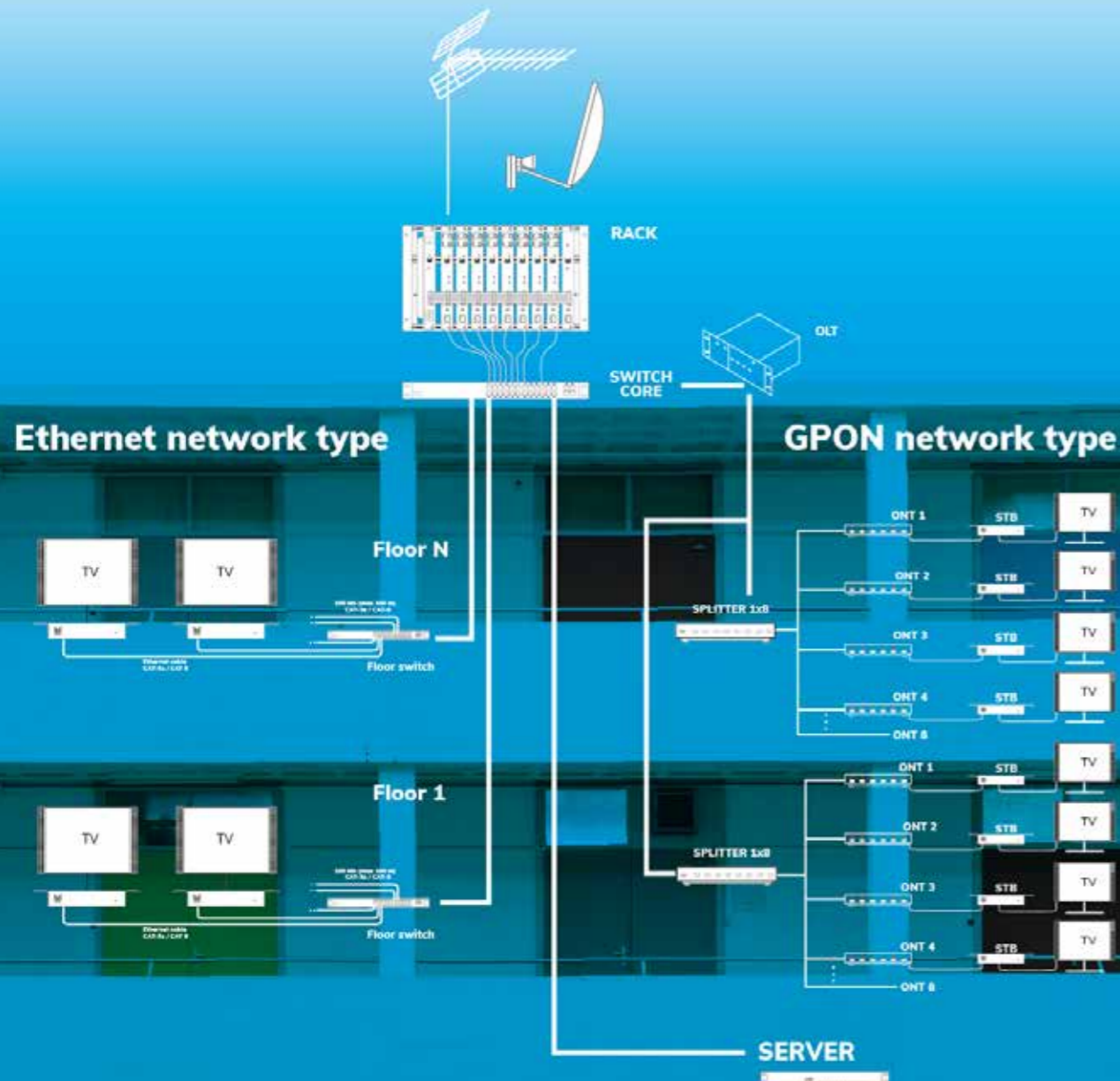
For Hospitals and
Nursing Homes

**IPTV
DS**

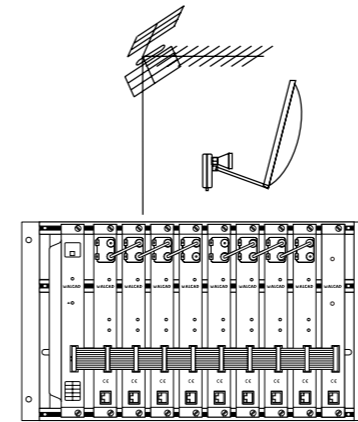
Digital Signage solution

GET TO KNOW IT THOROUGHLY

Both versions, IPTV Healthcare and IPTV Hospitality have two modalities, Basic and Premium, allowing an agile and fast installation of the entire system by assigning IP to each room automatically, without having to go room by room to configure the system.

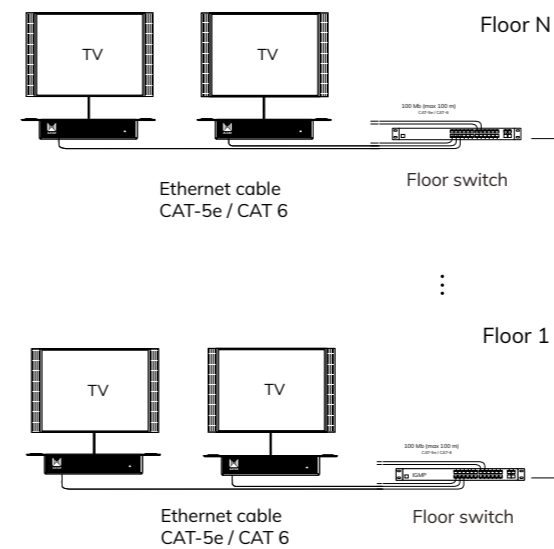


TV SIGNAL CAPTURE AND PROCESSING

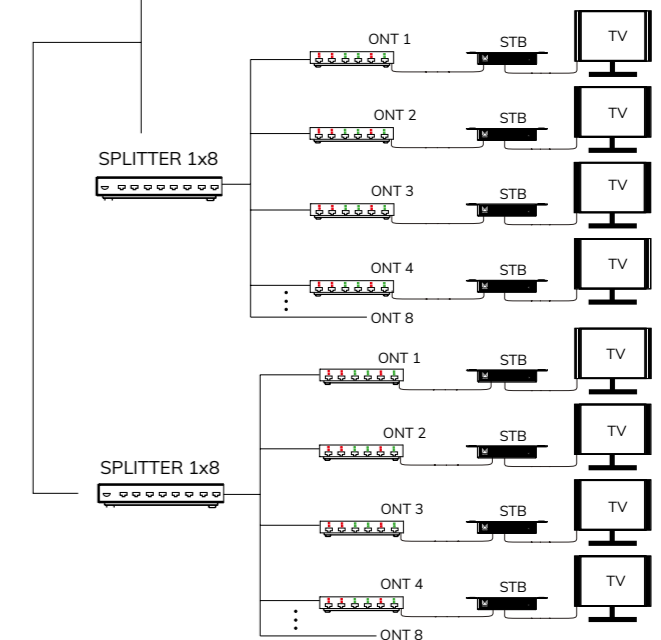


A modular header (series 915) consisting of rack-mounted processing modules (or streamers), which convert the received TV signal to be routed in an IP network, with local signal via HDMI or A / V (to broadcast the contents of the establishment from a DVD or other media player), DVB-T (terrestrial) or DVB-S / S2 (satellite).

Red Ethernet tip



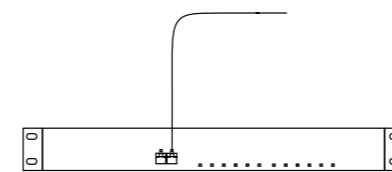
Red GPON tip



DISTRIBUTION AND MIDDLEWARE:

The user interface design is customizable by the establishment to their taste, without the intervention of a technician, in a simple way from the IPTV manager and at the times you wish to do it (very useful to customize contents by season or by client type or user). An elegant, exquisite, fresh and intuitive interface design.

SERVER, security is basic



Therefore, ALCAD's new Multimedia-IPTV solution is based on a very robust system with the possibility of installing the "high availability" feature that allows the system to be used without interruption, even in the event of a server failure. This is possible thanks to the new security software implemented that manages the main server and the redundant server. At the same time, it has an automatic and programmable system backup feature permitting the restoration of the system from a point in time backup.



BASIC

BASIC

For installations with simple and basic entertainment needs.

It offers the visualization of contracted and installed TV channels, being able to configure the guest's language and automatically reorganize the TV channels, placing first the language of the selected host.

The option of "Parental Control" is also included in the BASIC version, being able to block adult content through a user-configurable PIN.

PREMIUM

It is the perfect complete solution designed for all types of facilities, and with ALL INCLUSIVE.

In this PREMIUM version, the solution becomes a very powerful marketing tool for the establishment, interacting with the guest or user in a very agile and fresh way; that will make them feel very comfortable during their stay.

Room service, surveys, check-out, movies and press, among others, are some features that will help the user feel fully attended in a personalized way without leaving their room.



PREMIUM

PRODUCTS

IPTV HEADEND



CODE	MODEL	DESCRIPTION
IPTV HEADEND		
9120136	SP-725	FRAME FOR 19" RACK 6U, FOR POWER SUPPLY UNIT AND 9 MODULES (AMPL. INCL.), DISTANCE 38mm
9120168	FA-312	POWER SUPPLY 3,3+5,2+12+24 VDC 65 W WITH 20 PINS CONECTOR (90-260 VAC)
9150060	SS-202	STREAMER DVB-S-S2 IP DiSEqC
9150059	SS-212	STREAMER DVB-S/S2 IP CIMax DiSEqC
9150002	ST-100	STREAMER DVB-T TO IP
9150003	ST-110	STREAMER DVB-T TO IP WITH COMMON INTERFACE
9150045	SV-200	STREAMER A/V DOUBLE TO IP
9150056	SH-201	STREAMER 1 X HDMI - IP
9150049	CST-200	JACK-RCA CABLE, 1,5 M

NETWORK DEVICES



SWI-143

CODE	MODEL	DESCRIPTION
9430086	SWI-113	MANAGED SWITCH 8P 1GBPS
9430030	SWI-133	MANAGED SWITCH 16P 16+2 FO
9430026	SWI-143	MANAGED SWITCHLAYER 2 - 24P 1GBPS
9430027	SWI-163	MANAGED SWITCH 48P (16+4FO)
9430029	SWI-145	MANAGED SWITCH CORE 24P 16+4FO
9430095	SWI-165	MANAGED SWITCH CORE 48P 1GBPS + 4 F.O.
9430064	SWI-147	SWITCH CORE 24P FO + 4RJ75 (OPT)
9430031	SWI-100	MODULE FO GBIC 1000B-SX LC CONNECTOR
9430077	SWI-144	MANAGED SWITCH 10/100/1000 POE 24 PORTS + 2 SFP SLOTS FOR FIBER OPTICS (OPTIONAL)
9430079	SWI-146	CORE MANAGED SWITCH 10/100/1000 POE 24 PORTS + 4 SFP SLOTS FOR FIBER OPTICS (OPTIONAL)
9430078	SWI-164	MANAGED SWITCH 10/100/1000 POE 48 PORTS + 4 SFP SLOTS FOR FIBER OPTICS (OPTIONAL)

SET-TOP BOXES AND ACCESSORIES



STB-040



FAS-042



REM-214

CODE	MODEL	DESCRIPTION
9450059	CAS-010	RCA-RCA CABLE
9450060	CAS-220	HDMI-HDMI CABLE
9450134	IRD-040	IR DONGLE COMPATIBLE WITH STB-040
9450126	REM-214	REMOTE CONTROL FOR STB-030/040
9450143	FAS-042	SPLITTER PoE COMPATIBLE WITH STB-040
9450132	STB-040	IPTV HD SET-TOP BOX
9450147	STB-131	SET TOP BOX

SERVERS



CODE	MODEL	DESCRIPTION
9430104	SRG-210	MEDIUM RANGE SERVER - HIGH AVAILABILITY (up to 100 set-top boxes or Smart TV)
9430105	SRG-310	HIGH RANGE SERVER - HIGH AVAILABILITY (up to 300 set-top boxes or Smart tv)
9430106	SRG-410	HIGH RANGE SERVER - HIGH AVAILABILITY (between 300 -700 set-top boxes or Smart TV and / or high availability)

SOFTWARE AND LICENSES

CODE	MODEL	DESCRIPTION
9450301	SOF-400	MIDDLEWARE LICENSE - IPTV HOSPITALITY PREMIUM
9450302	SOF-401	MIDDLEWARE LICENSE - IPTV HOSPITALITY BASIC
9450303	SOF-402	MIDDLEWARE LICENSE - IPTV HEALTHCARE PREMIUM
9450304	SOF-403	MIDDLEWARE LICENSE - IPTV HEALTHCARE BASIC
9450305	SOF-404	MIDDLEWARE LICENSE - ALCAD DS
9450306	LIC-400	LICENSE STB-HOSPITALITY&HEALTHCARE PREMIUM
9450307	LIC-401	LICENSE SMARTTV - IPTV HOSPITALITY&HEALTHCARE
9450308	LIC-402	LICENCE STB-HOSPITALITY&HEALTHCARE BASIC

KIOSKS AND ACCESSORIES



CODE	MODEL	DESCRIPTION
9450053	KIO-210	PAYMENT KIOSK COINS AND NOTES
9450101	KIA-001	SPARE PART PAPER TAPES KIOSK PRINTER (6 UNITS)

SERVICES

CODE	MODEL	DESCRIPTION
9500101	IPP-303	SYSTEM CONFIGURATION
9500102	IPP-305	IN FACTORY CONFIGURATION - POINT
9500103	IPP-315	IN SITU CONFIGURATION - POINT
9500104	IPP-320	TRAVEL AND SUBSISTENCE - SPAIN
9500107	MNT-303	REMOTE MAINTENANCE 1 YEAR - SYSTEM
9500108	MNT-305	REMOTE MAINTENANCE 1 YEAR
9500109	REP-312	REMOTE ASSISTANCE (1 HOUR)
9500110	REP-322	SYSTEM REMOTE ASSISTANCE (10 HOURS)

Code Summary

CODE	MODEL
9120136	SP-725
9120168	FA-312
9150002	ST-100
9150003	ST-110
9150045	SV-200
9150049	CST-200
9150056	SH-201
9150059	SS-212
9150060	SS-202
9430026	SWI-143
9430027	SWI-163
9430029	SWI-145
9430030	SWI-133
9430031	SWI-100
9430064	SWI-147
9430077	SWI-144
9430078	SWI-164
9430079	SWI-146
9430086	SWI-113
9430095	SWI-165
9430104	SRG-210
9430105	SRG-310
9430106	SRG-410
9450053	KIO-210
9450059	CAS-010
9450060	CAS-220

CODE	MODEL
9450101	KIA-001
9450126	REM-214
9450132	STB-040
9450134	IRD-040
9450143	FAS-042
9450147	STB-131
9450301	SOF-400
9450302	SOF-401
9450303	SOF-402
9450304	SOF-403
9450305	SOF-404
9450306	LIC-400
9450307	LIC-401
9450308	LIC-402
9500101	IPP-303
9500102	IPP-305
9500103	IPP-315
9500104	IPP-320
9500107	MNT-303
9500108	MNT-305
9500109	REP-312
9500110	REP-322

General Terms of Trade

The acceptance of orders by ALCAD Electronics S.L. implies the acceptance of the following general terms of trade. These terms take priority over the conditions of purchase that may figure on client order forms or other documents.

1. PRICES

Our unit prices are Ex Works Irún. The price that will be applied is the current price in the country of sale at the date of receipt of order. Orders accepted by our agents are only formalised following our confirmation.

2. TRANSPORT

Transportation costs will be paid for by the client. The risks of transport and problems that could occur during transportation will be at the expense of the client, even when the goods are shipped free delivered. The client will adopt the necessary measures with the transport company the moment the goods are received and will have to confirm by registered letter the event of any loss or damage caused to the goods, and send a copy of the same letter to the shipping agent.

3. DELIVERY TIMES, DELIVERIES, RETURNS AND COMPLAINTS

ALCAD Electronics, S.L. will only accept orders that are confirmed in writing. Delivery times are only indicative and the delays that may occur cannot be held as a reason to refuse the acceptance of the material or as a cause for compensation.

ALCAD Electronics, S.L. reserves the right to organise the delivery of the goods in one or several shipments, and to invoice the goods in accordance with the agreed terms. No return of material will be allowed without the express prior authorisation of ALCAD Electronics, S.L. In the event that the return of the material is accepted, the goods must be in perfect working condition and in their original packing and sent to us carriage-paid with a photocopy of the authorisation of the return and the initial invoice.

Any complaint regarding the delivered material must be made within the 8 days that follow the reception of the goods.

4. GUARANTEE

The material is guaranteed for two years following the date of the invoice for the ALCAD products to the end client and will be validated by the presentation of the purchase document of the product in question.

The guarantee is strictly limited to the replacement of the materials supplied by ALCAD Electronics, S.L., and does not cover any damage or breakdowns due to misuse, incorrect installation, or prohibited manipulation or handling of the materials, carried out by the client before returning the goods to ALCAD.

This guarantee does not imply any liability on part of ALCAD Electronics, S.L. for compensation or damages whatsoever.

5. TERMS AND CONDITIONS OF PAYMENT

Each of the agreed terms and conditions of payment will be negotiated with the client and confirmed in writing. Any delay in the agreed date of payment could be cause for an additional invoice to cover the costs of delay and damages.

6. RESERVE OF OWNERSHIP CLAUSE

ALCAD Electronics, S.L. reserves the rights to full ownership of the goods until the purchaser has totally satisfied the full payment of the agreed price. The purchaser is obliged to make every effort to preserve and maintain the goods in perfect order and to cover the goods with a fully comprehensive insurance policy. Should the purchaser fail to satisfy any of their obligations, ALCAD Electronics, S.L. may exercise its rights of ownership and withdraw the goods or demand the fulfilment of the obligation of payment.

7. COMPETENT JURISDICTION

For any question relating to the fulfilment or interpretation of the contract or its incidence, the parties, with the express renunciation of any other body or authority that may correspond to them, agree to submit any dispute to the competence of the courts and tribunals in the jurisdiction of our registered head office.

8. CONCERNING THIS DOCUMENT

The revisions of the designs and the manufacturing processes may obligate Alcad Electronics S.L. to modify some values and specifications of the products. Due to this fact, the technical data included in this Short Form Catalogue are indicative values, as well as the pictures and any drawing or scheme included.

Alcad Electronics S.L. reserves the right to introduce in their products without any previous notice the modifications considered necessary, this not being prejudicial to their main features. Any data or value considered transcendental when placing an order will have to be previously verified by the purchaser, contacting Alcad Electronics S.L..

The item codes are subject to changes without previous notice.

This Catalogue cancels and replaces all the previous ones.

MULTIMEDIA

Reception and distribution
of TV signals |
IPTV

DOOR ENTRY SYSTEMS

Video and audio intercom,
Access Control

HEALTHCARE

Nurse Call Solution
100% IP



 **ALCAD**

www.alcadelectronics.com



Tel. 943.63.96.60
Fax 943.63.92.66
Int.Tel. +34 943.63.96.60
info@alcad.net
Polígono Arrece-Ugalde, N°1
Apdo. 455
E-20305 IRUN - Spain

FRANCE: B.P. 60284 - F-64701 HENDAYE - Tel. 00 34 - 943.63.96.60 - Fax 00 34 - 943.63.92.66
UNITED ARAB EMIRATES: Middle East FZE - P.O. Box 54830 W5A DAFZA DUBAI - Tel. +97142146140 - Fax 97142146147
CZECH REPUBLIC: nám. V. Mrštíka, 40 - 664 81 OSTROVÁČICE - Tel. 546.427.059 - Fax 546.427.212
TURKEY: İzpark Plaza, Vezirköprü Cd. Ordu Sk. N:23A D:29 - 34880 Kartal/Istanbul TURKEY -
Tel. +90 216 380 93 17 - Fax +90 216 380 93 63